

XMC Frame GrabberCard

This XMC Frame Grabber Card captures, processes and displays different types of Video formats using on board Xilinx FPGA hardware. This board accepts multiple simultaneous inputs and can provide output in multiple formats, including 3G-SDI, HD-SDI and Analog (CVBS). The module can also accept video sources from a PCIe DMA stream for real-time conversion to SDI or analog output.

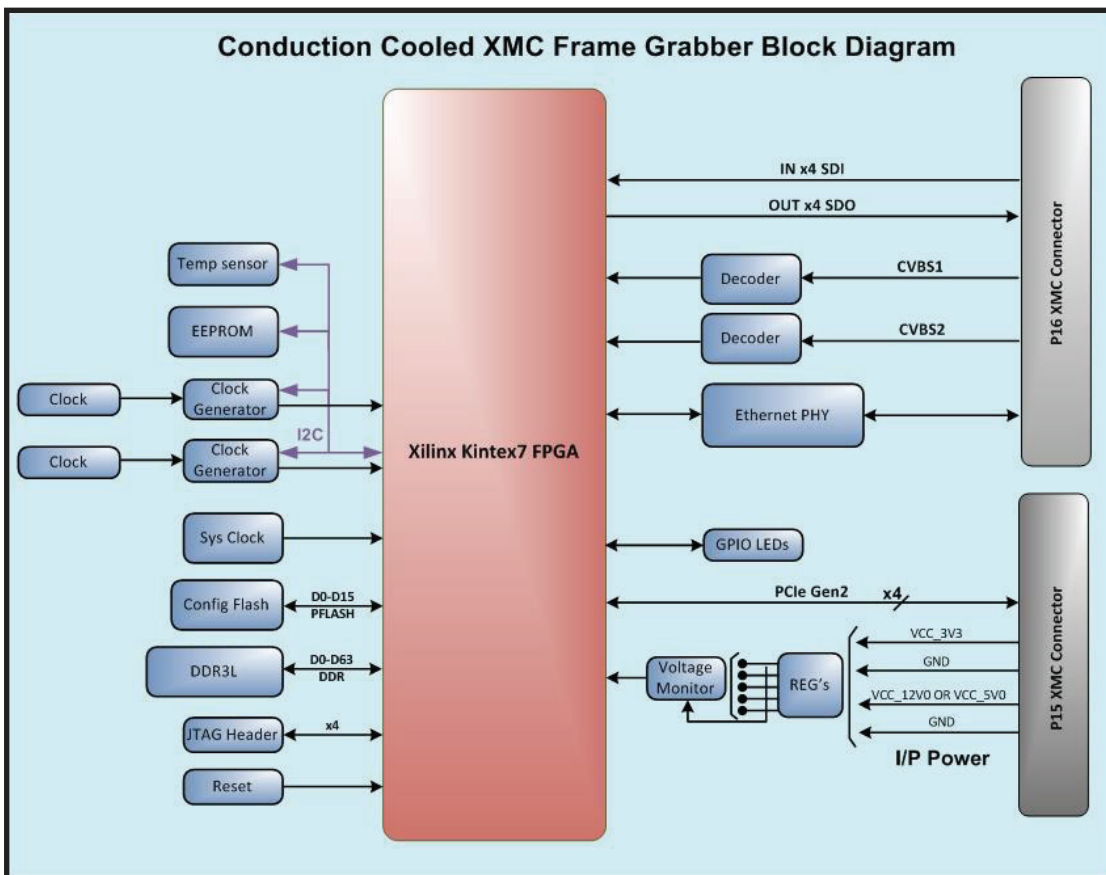
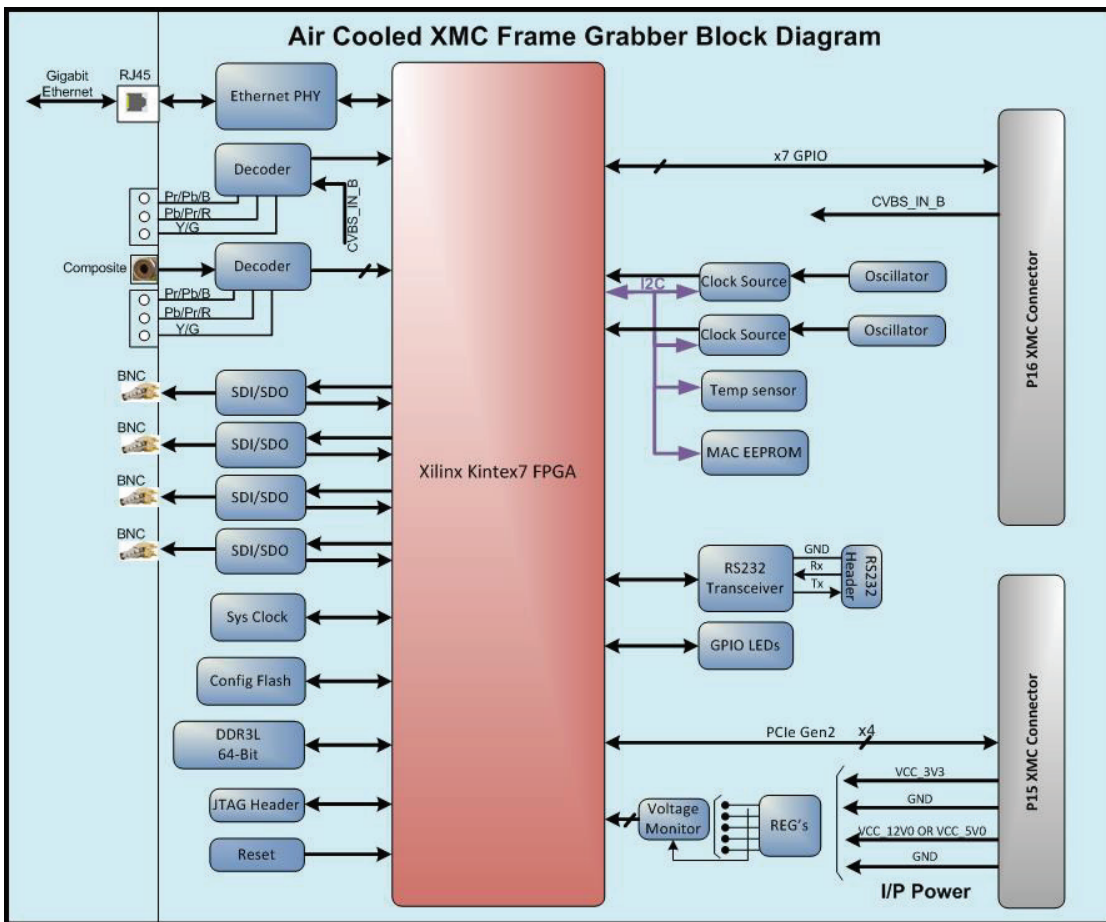


KEY FEATURES

- Works on standard XMC power supply
- CoreEL FPGA Frame Grabber Video Capture and Process engine
- 2GB DDR3L to FPGA for data processing
- 2Gb NOR Flash for Configuration of FPGA
- Supports 1G (10/100/1000) Ethernet communication
- Supports PCIe X4 Gen 2, Upto 5 GT/s
- One UART port terminated to 3 pin connector for debug
- 2Kb EEPROM for storage of board information
- Supports up to 4 video channels (Four Bi-directional SDI)
- Two CVBS Input channel each supports NTSC & PAL formats
- Supports 3G/HD/SD/CVBS video formats
- Low Power Consumption, <25 watts
- Available with Standard XMC 2.0 configuration (Air Cooled & Conduction Cooled)

TECHNICAL FEATURES

- supports multiple SMPTE standards, Resolutions & multiple Bit rates
- Supports Video data transfer over 4 lane PCIe Gen 2 in V210 pixel packed format
- Supports De-interlaced/interlaced packet transmission over PCIe
- Supports simultaneous Video capture and PCIe transmission up to 2 channels
- Supports multiple configurable captures and transmission delays for no. of frames
- Supports Linux OS drivers and U-boot
- Available with Standard Air Cooled & Conduction Cooled versions
- Operating Temperature -40 to +85 °C
- Designed to meet the following MIL standards
 - MIL-STD-810E • MIL-STD-461E • MIL-STD-704D
- ESS Standards: JSS 55555 : 2000&MIL-STD-2164



CoreEL PART NUMBER(S)

CT0724-FP01	XMC Frame Grabber Board (CC)
CT0724-FP02	XMC Frame Grabber Board (AC)